

SPECIFICATION OF THERMOELECTRIC COOLING ASSEMBLY 380-48-AA v1

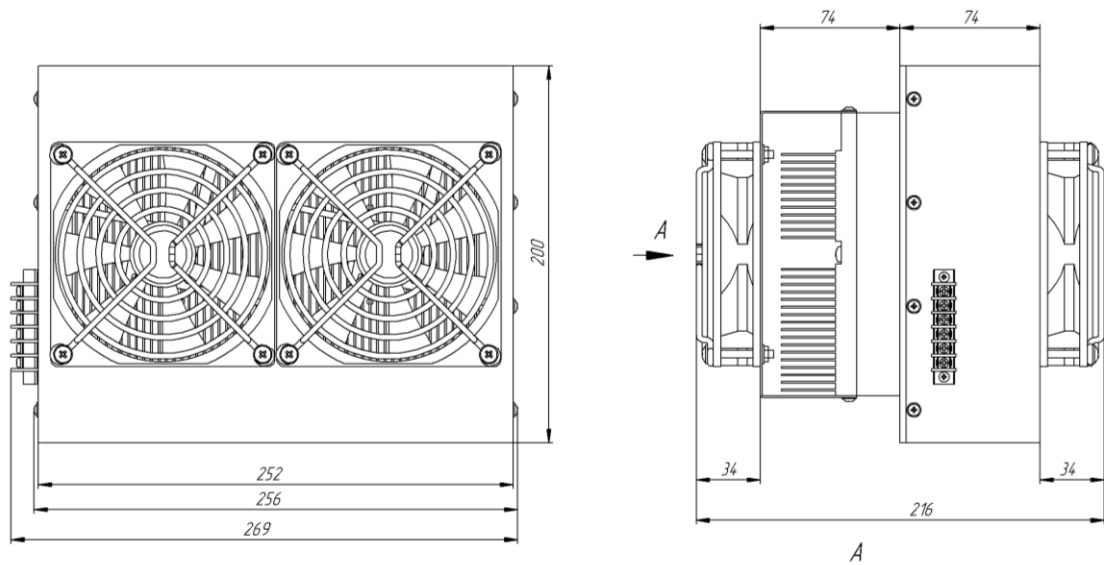


<i>Thermoelectric parameters</i>	<i>Unit</i>	<i>Value</i>
Operating voltage (U)	V	48
Operating current (I)	A	5.7
Operating cooling power (Q_c)*	W	220
Tolerance	%	±10

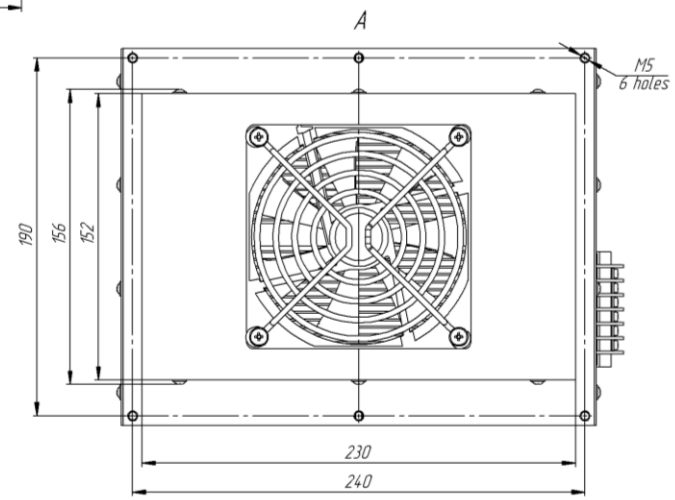
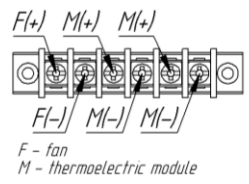
<i>Operational parameters</i>	<i>Unit</i>	<i>Value</i>
Working temperature range	°C	-10 ÷ +70
Weight	kg	6.8

<i>Parameters of fans</i>		<i>Unit</i>	<i>Value</i>
Fan quantity	Hot side	-	2
	Cold side	-	1
Electrical parameters		V/A	48/0.1

* Operation cooling power corresponds to zero difference temperature between cold radiator and the environment with temperature of 27°C



Terminal block connection



Load curve

